

since 1988

AUDIO
SYSTEM

german sound

HIGH-PERFORMANCE CAR- AMPLIFIER

OWNER'S MANUAL

CARBON SERIES
BY AUDIO SYSTEM



CARBON-200.4



DESIGNED AND ENGINEERED BY AUDIO SYSTEM GERMANY

Congratulation on your purchase of your new **CARBON-SERIES** amplifier.

IMPORTANT: Before installation your power amplifier, we recommend to read the owner's manual carefully and to follow the instructions regarding connection and fitting exactly.

ATTENTION: Pay attention to advices and instructions of the car manufacturer.

IMPORTANT: Your proof of purchase is evidence of warranty claim for repair or replacement. Keep your proof of purchase, manual and original packaging.

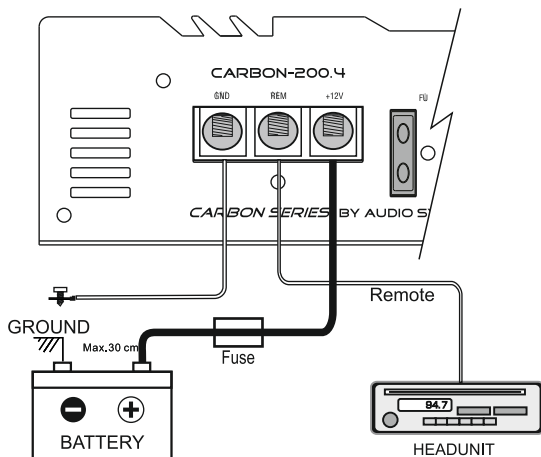
ATTENTION: Use of sound components can impair your ability to hear necessary traffic sounds and may constitute a hazard while driving your automobile.

AUDIO SYSTEMGERMANY accepts no liability for hearing loss, bodily injury or property damage as a result of use or misuse of our products. We recommend installing the equipment by an authorized service center or dealer. A professional fitting and connection is the requirement for further warranty and perfect sound.

CARBON-200.4

- 4-Channel High Power Class-AB amplifier
- MOS-FET PWM Power Supply
- Stable into 2 Ohm stereo per channel and 4 ohm bridged mode
- Switchable variable Low Pass Filter from 50 to 250 Hz (only Channel 3/4) or variable switchable High Pass Filter from 20 to 250 Hz
- Input Sensitivity: variable 200 mV maximum to 6 V minimum
- Multi-Way Protection Circuitry: overheating, overcurrent, short circuitry and speaker DC protection
- Operating Voltage: DC 9 ~ 16 V
- High-Power-Input (normally original radio) with automatically „Turn-On“
- Bass Remote **RTC (PC)** optional available

CARBON-200.4



1. Battery disconnection

First disconnect the power supply of the vehicle. This works out the best by removing the ground cable of the battery.

2. Ground connection

Connect the GND (ground) connection of the amplifier with the car chassis. Keep this cable as short as possible (not longer than 50 cm) and use a suitable cross section (AWG size 8 - 6). Make sure, that the connection with the vehicle chassis is free of paint, dirt and dust.

3. +12 V Power connection

Connect the +12 V contact of the amplifier with the supply cable via a fuse directly to the vehicle battery. Keep in mind, that the length of the cable from fuse holder to vehicle battery has to be a maximum of 30 cm. Requirement for a perfect function of the amplifier is a qualitative high end fuse holder as well as a suitable cable cross section (AWG size 8 - 6). This fuse protects the amplifier and the vehicle against the possibility of a short circuit in the power cable.

4. Remote connection

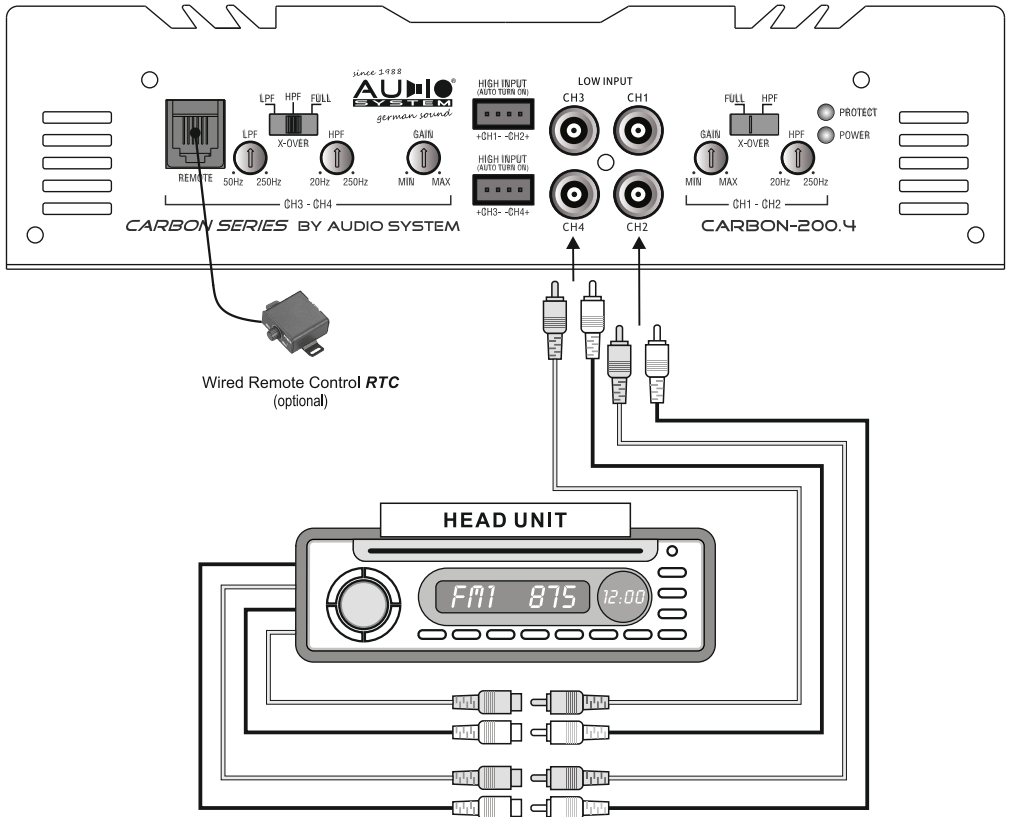
Connect the REM-terminal of the amplifier to the remote-output (automatic 12 V antenna-output) of the head unit. Therefore use a 0,5 - 1,5 mm² power cable.

⚠ ATTENTION ⚠

Please follow the instructions during the installation of your amplifier:

- a) Take care of a professional attachment. Pay attention, that no electrical cable, gas tank, hydraulic breakers or other components get damaged.
- b) There has to be enough cooling and air circulation. Avoid the installation in small closed boxes or close to heatening parts.
- c) Protect the amplifier from fluids, wetness, heat and foreign material as well as from other influences.
- d) The amplifier is only to be built into vehicles with a 12 V DC power supply.
- e) Never install the power supply cable with other original wires of the vehicle (gas cables), fan motors, brand control moduls etc.
- f) Install the signal cable (cinch cable) as well as the speaker cable far away from the power cables to avoid troubles with the music signal.
- g) The cables of your amplifier have to be installed, so that there is no danger of binding, squeezing or breaking.

CARBON-200.4



Wired Remote Control *RTC*
(optional)

The **CARBON-SERIES** amplifier offers RCA-Inputs, which are connected through cinch cables with the preamplifier-outputs of the head unit. If the head unit (OEM-RADIO) has no RCA-Output, then it is possible to connect the speaker output direct to High-Input of the amplifier.

Important: the Gain-Controller has to be adjusted to minimum, then carefully turn up the volume. If signal is presented, the amplifier automatically turns on.

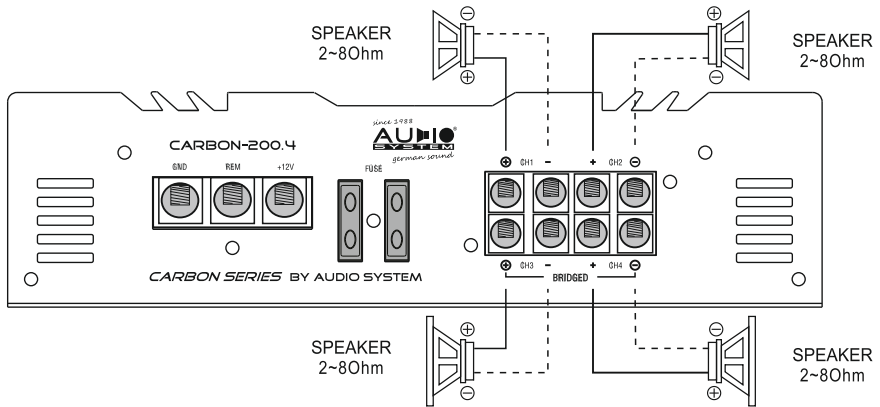
With the aid of the variable high- and lowpassfilter, phase shift-controller, the gain-controller and subsonicfilter you are able to adjust the amplifier on to your preferred taste of hearing, the circumstances of the vehicle and to the speakers.

With **CARBON-200.4** wired remote controller *RTC(PC)* can be installed to adjust the output level.

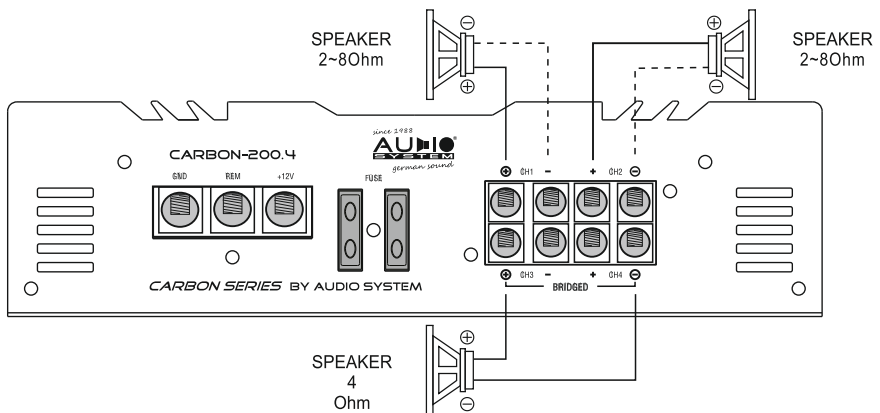
In this regard, **AUDIO SYSTEM GERMANY** recommends to adjust your amplifier through a specialized service center, dealer or a specialist.

CARBON-200.4

4-Channel Stereo Mode



3-Channel Stereo + Mono Mode



This power amplifier is specially built for in car use. As cars use 12V batteries, there are some differences to other amplifiers you might already know.

For best performance pay attention to the following tips:

POWER SUPPLY IS ESSENTIAL

12V amplifiers need a high current to produce the desired power. Always use sufficient dimensioned OFC power cables. A power cap (AUDIO SYSTEM P/CAP) or additional battery (AUDIO SYSTEM Z-LPB12-300) will increase your sound system performance

USE CABLE CORE ENDS AND CABLE LUGS

For less resistance at the terminal and a better experience use properly crimped cable core ends or cable lugs.

GROUND CONNECTION

Please try to use a star point ground connection for less interferences. If there is paint under the ground connection please remove the paint before.

PROTECT YOUR WIRES

Make sure to protect cables when putting behind panels. Don't put your cables under pressure or in the vicinity of screws.

FIX THE AMPLIFIER

Make sure the amplifier is properly fixed to the car and can't move any more.

This power amplifier is featured with an efficient protection system to prevent any damages like over-heating, overvoltage, short-circuit and DC at the loudspeaker output.

Occuring an error the protection-LED will light in red. In order to check the problem, first turn down all levels of the head unit, afterwards turn it off.

AMPLIFIER IS NOT POWERED UP, NO LED IS LIGHTENING	<ul style="list-style-type: none"> - ground connection professional connected? - +12V powercable professional connected? - remote cable professional connected? - fuses inserted and alright? - analyze voltage on the amplifier.
PROTECTION LED ILLUMINATES GREEN WHILE AMPLIFIER IS SOUNDLESS	<ul style="list-style-type: none"> - cinch cable alright and professional connected - loudspeaker professional connected? - head unit alright?
PROTECTION LED ILLUMINATES RED WHEN AMPLIFIER IS POWERED UP	<ul style="list-style-type: none"> - amplifier too hot? - short-circuit at the loudspeaker output? - short-circuit caused by loudspeaker cable with vehicle chassis (ground)? - input voltage too high (e.g.faulty generator)?
OVERHEATING (PROTECTION LED ILLUMINATES RED WHEN AMPLIFIER IS POWERED UP)	<ul style="list-style-type: none"> - impedance alright? - loudspeaker error? - adequate airflow of the amplifier? <p style="text-align: center;">! CAUTION ! After cooling down, the amplifier turns on automatically.</p>
ERROR IN AMPLIFIER FUSE	<ul style="list-style-type: none"> - ground professional connected? - loudspeaker impedance alright? <p style="text-align: center;">! CAUTION ! Make sure when changing fuses to use the same value.</p>
SOUND TOO LOW OR LOW-DISTORTED SOUND	<ul style="list-style-type: none"> - input level control "GAIN" is set to match the head unit? - output level control of the head unit alright? - loudspeaker error? - loudspeaker cable checked? - crossover frequencies has been properly set? (Check head unit, amplifier, DSP, soundprozessor, equalizer, frequency bandpassfilter...)
HIGH HISS-ENGINE NOISE IN SPEAKERS	<ul style="list-style-type: none"> - ground connection professional connected? - short-circuit caused by loudspeaker cable with vehicle chassis (ground)? - cinchcable (RCA) and/or loudspeaker cable installed too close to the power connection cable? - cinch ground (RCA) of the head unit alright?

⚠ ATTENTION ⚠

Please contact your specialized dealer if the amplifier is still not working after it has been checked with the error list!

For warranty adjustement / repairs the original invoice has to be attached!

Opening the power amplifier is leading to a lost of warranty in either case!

CARBON-200.4

Power Supply Voltage	9 - 16 V
Rated Power Output at 14,4 V	
-RMS power @ 4 Ohm stereo	4x 50 W
-RMS power @ 2 Ohm stereo	4x 80 W
-RMS power @ 4 Ohm bridged	2x 160 W
Signal to Noise Ratio	>90 dB
Low Pass Crossover	50 ~ 250 Hz
High Pass Crossover	20 ~ 250 Hz
Frequency Response	10 Hz ~ 22 KHz (+/-1 dB)
THD@RMS Watts	< 0,05%
Channel Separation	75 dB
Input Sensitivity	200 mV ~ 6 V (+/- 5%)
Dimensions	220(W) x 58(H) x 303(L) mm



AUDIO SYSTEM GERMANY
FALLTORSTRASSE 6 - 76707 HAMBRÜCKEN

DESIGNED AND ENGINEERED BY AUDIO SYSTEM GERMANY